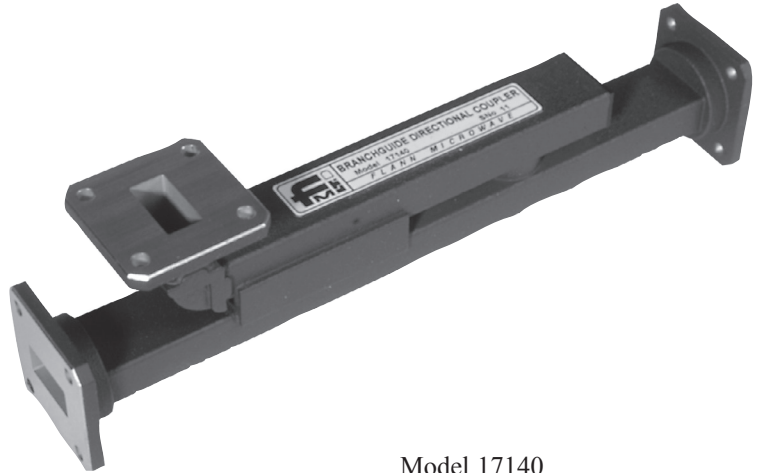


Branch Guide Directional Couplers Series 140

Branch Guide Directional Couplers from the Flann Series 140 are particularly suited to applications where multihole couplers cannot be accommodated or tighter coupling values than those achievable from cross guide couplers are required.

Models are available in both 3 and 4 port configurations and standard coupling values are 3 dB, 6 dB and 10 dB. Couplers operating over the full waveguide band are available but for optimum coupling and directivity performance we recommend that the operating frequency range is limited to 25% of the full waveguide band. Please state the operating frequency range required when ordering.



Model 17140

Specifications:

Model	Frequency Range (GHz)	Waveguide			Typical performance for models operating over 25% of the full waveguide band.				
		WG	R	WR	Coupling Accuracy (dB)			Coupling Sensitivity(dB)	Directivity better than (dB)
					3 dB	6 dB	10 dB		
10140	2.60 - 3.95	10	32	284	0.3	0.4	0.5	±0.25	25
11A140	3.22 - 4.90	11A	40	229	0.3	0.4	0.5	±0.25	25
12140	3.94 - 5.99	12	48	187	0.3	0.4	0.5	±0.25	25
13140	4.64 - 7.05	13	58	159	0.3	0.4	0.5	±0.25	25
14140	5.38 - 8.18	14	70	137	0.3	0.4	0.5	±0.25	25
15140	6.58 - 10.0	15	84	112	0.3	0.4	0.5	±0.25	25
16140	8.20 - 12.5	16	100	90	0.3	0.4	0.5	±0.25	25
17140	9.84 - 15.0	17	120	75	0.3	0.4	0.5	±0.25	25
18140	11.9 - 18.0	18	140	62	0.3	0.4	0.5	±0.25	25
19140	14.5 - 22.0	19	180	51	Specifications available on request				
20140	17.6 - 26.7	20	220	42					
21140	21.7 - 33.0	21	260	34					
22140	26.4 - 40.1	22	320	28					

ORDERING INFORMATION

Model: Coupling value suffix: number of ports: operating frequency range; Description

Example: Model 16140-06 8.93 GHz to 11.07 GHz Branch Guide Directional Coupler, 6 dB, 3 Port, 8.93 GHz to 11.07 GHz (operating frequency range)

**Note: When ordering please state the required operating frequency range.
For 4 Ports add -4P**

Models are available in other waveguide sizes and alternative coupling values for special applications. Full details on request.

Please refer to page 26 for definitions of Flann coupler specifications.

Standard Coupling Values	Suffix
3 dB	03
6 dB	06
10 dB	10

Series 140

For standard flange types and recommendations see pages 118 onwards