

Precision Fixed Attenuators

Series 580 / 582

Features

- **Very High Stability**
- **Attenuation variation with frequency less than ± 1.5 dB over full waveguide band @ 500 GHz**
- **Very Low Coupling Sensitivity vs Temperature**
- **High Power Versions Available**

The Flann range of Precision Fixed Attenuators, Series 580 & 582, are very highly stable devices **eminently suitable for use in attenuation transfer standards and verification standards** for attenuation measurement systems or network analysers. The units are based on directional couplers and offer low attenuation variation with frequency, typically less than 0.5 dB, and low VSWR over the full waveguide band.

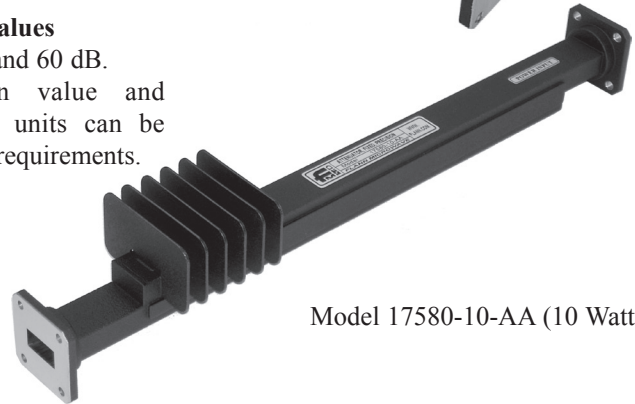
Standard attenuation values

3, 6, 10, 20, 30, 40, 50 and 60 dB.

Alternative attenuation value and high power handling units can be manufactured to special requirements.



Model 22580-20



Model 17580-10-AA (10 Watts)

Model	Frequency Range (GHz)	Waveguide				Attenuation				VSWR (better than)
		WG	WM	R	WR	Sensitivity (\pm dB)	Nominal Accuracy (dB)			
							3 - 6	10	20 - 60	
14580	5.38 - 8.18	14	-	70	137	0.5	0.5	0.5	1.0	1.10
15580	6.58 - 10.0	15	-	84	112	0.5	0.5	0.5	1.0	1.10
16580	8.20 - 12.50	16	-	100	90	0.5	0.5	0.5	1.0	1.10
17580	9.84 - 15.0	17	-	120	75	0.5	0.5	0.5	1.0	1.10
18580	11.9 - 18.0	18	-	140	62	0.5	0.5	0.5	1.0	1.10
19580	14.5 - 22.0	19	-	180	51	0.5	0.5	0.5	1.0	1.10
20580	17.6 - 26.7	20	-	220	42	0.75	0.5	0.75	1.2	1.10
21580	21.7 - 33.0	21	-	260	34	0.75	0.5	0.75	1.2	1.10
22580	26.4 - 40.1	22	-	320	28	0.75	0.5	0.75	1.2	1.10
23582	33.0 - 50.1	23	-	400	22	0.75	0.5	0.75	1.2	1.15
24582	39.3 - 59.7	24	-	500	19	0.75	0.5	0.75	1.2	1.15
25582	49.9 - 75.8	25	-	620	15	0.75	0.5	0.75	1.2	1.15
26582	60.5 - 92.0	26	-	740	12	1.0	0.5	0.75	1.5	1.15
27582	73.8 - 112	27	-	900	10	1.0	0.75	1.0	1.5	1.15
28582	92.3 - 140	28	-	1200	8	1.0	0.75	1.0	1.5	1.15
29582	114 - 173	29	-	1400	6	1.0	0.75	1.0	1.5	1.20
30582	145 - 220	30	-	1800	5	1.0	0.85	1.2	2.0	1.25
31582	172 - 261	31	-	2200	4	1.2	0.85	1.2	2.0	1.30
32582	217 - 330	32	-	2600	3	1.2	0.85	1.2	2.0	1.40
710582	260 - 400	-	710	-	'2.8'	1.5	1.0	1.5	2.5	1.60
570582	330 - 500	-	570	-	'2.2'	1.5	1.0	1.5	2.5	2.00

ORDERING INFORMATION

Model: attenuation value suffix; description Example: Model 22580-20 precision fixed 20 dB attenuator

For standard flange types and recommendations see pages 118 onwards