

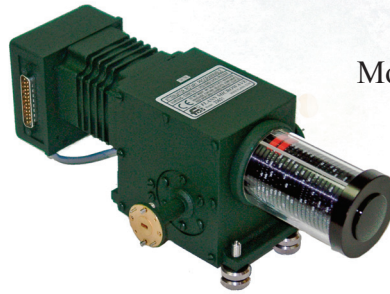
Programmable Rotary Vane Attenuators

Series 620 and Series 621

Two basic types of Programmable Rotary Vane Attenuators, Series 620 and 621, are available. The Series 620 has been extended to include models down to 3.22 GHz. The new Series 621 models offer an additional high resolution helical readout scale offering manual control.

High Speed Operation:

Programmable Rotary Vane Attenuators are fitted with a high speed drive motor capable of repositioning the attenuator from 0 dB to 60 dB (see note 1) in less than 1.1 seconds when driven by our dedicated Control Processors.



Model 23621



Model 15620

Specifications: All ranges 0 dB to 60 dB with the following accuracy¹

	WG10 to WG29	WG30	WG31	WG32	(260-400)	(325-500)
Attenuation accuracy	0 dB to 60 dB 0.1 dB or 1% whichever is greater	0 dB to 50 dB 0.15 dB or 1.2% whichever is greater	0 dB to 45 dB 0.2 dB or 1.5% whichever is greater	0 dB to 40 dB 0.3 dB or 2% whichever is greater	0 dB to 35 dB 0.4 dB or 2.5% whichever is greater	0 dB to 30 dB 0.5 dB or 3% whichever is greater

Operating temperature range: +5°C to +35°C (Refer to Flann for wider temperature range consideration)

Note 1: Customised models with extended attenuation ranges can be supplied. Please contact our Sales Team for further details.

Model Series 620 or 621	Frequency Range (GHz)	Waveguide				VSWR (better than)	Max Insertion Loss (dB)	Max Power (Watts)
		WG	WM	R	WR			
11A620/11A621	3.22 - 4.90	11A	-	40	229	1.15	0.25	10.0
12620/12621	3.94 - 5.99	12	-	48	187	1.15	0.25	10.0
13620/13621	4.64 - 7.05	13	-	58	159	1.15	0.25	9.0
14620/14621	5.38 - 8.18	14	-	70	137	1.15	0.25	8.0
15620/15621	6.58 - 10.0	15	-	84	112	1.15	0.25	6.0
16620/16621	8.20 - 12.5	16	-	100	90	1.15	0.25	4.0
17620/17621	9.84 - 15.0	17	-	120	75	1.15	0.25	3.0
18620/18621	11.9 - 18.0	18	-	140	62	1.15	0.3	2.0
19620/19621	14.5 - 22.0	19	-	180	51	1.15	0.4	1.5
20620/20621	17.6 - 26.7	20	-	220	42	1.15	0.6	1.0
21620/21621	21.7 - 33.0	21	-	260	34	1.15	0.8	0.75
22620/22621	26.4 - 40.1	22	-	320	28	1.15	0.9	0.5
23620/23621	33.0 - 50.1	23	-	400	22	1.15	1.0	0.3
24620/24621	39.3 - 59.7	24	-	500	19	1.15	1.0	0.25
25620/25621	49.9 - 75.8	25	-	620	15	1.15	1.0	0.15
26620/26621	60.5 - 92.0	26	-	740	12	1.15	1.3	0.1
27620/27621	73.8 - 112.0	27	-	900	10	1.15	1.5	0.07
28620/28621	92.3 - 140	28	-	1200	8	1.20	1.8	0.05
29620/29621	114 - 173	29	-	1400	6	1.25	2.2	0.035
30620/30621	145 - 220	30	-	1800	5	1.30	2.7	0.02
31620/31621	172 - 261	31	-	2200	4	1.40	3.0	0.015
32620/32621	217 - 330	32	-	2600	3	1.55	3.5	0.01
710620/710621	260 - 400	-	710	-	'2.8'	1.75	4.0	0.007
570620/570621	330 - 500	-	570	-	'2.2'	2.20	4.5	0.005

ORDERING INFORMATION

Model: Description

Example: Model 19620 or 19621 Programmable Rotary Vane Attenuator

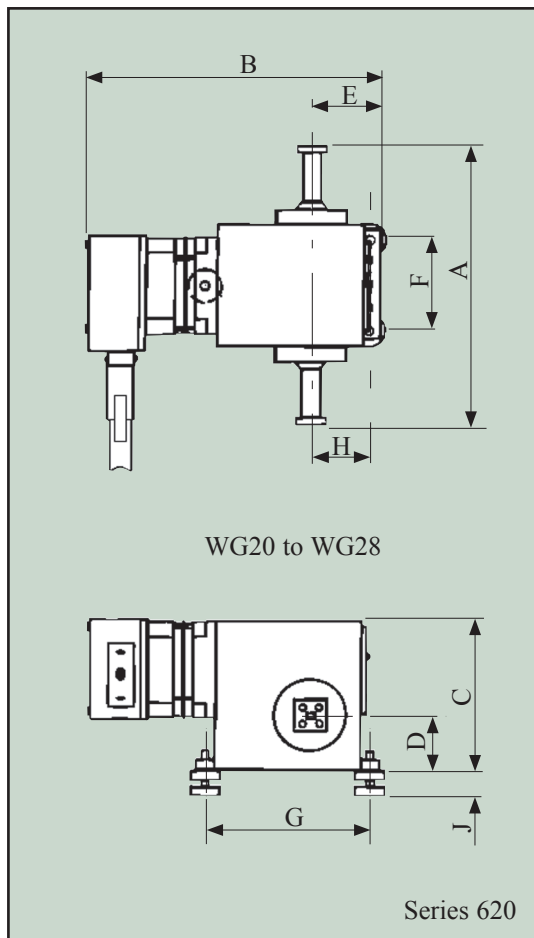
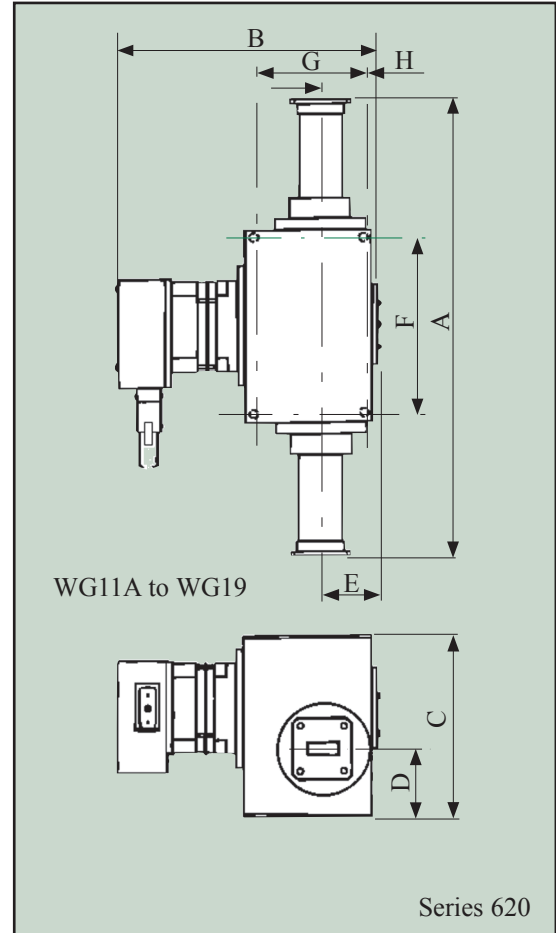
Outline dimensions available on request.

Series 620/621

Programmable Rotary Vane Attenuators Series 620

Outline Dimensions

Model	Series 620 WG 11A-WG19							
	Dimensions (mm)							
	A	B	C	D	E	F	G	H
11A620	687	206.8	166	66	64	110	110	54
12620	560	196	155	55	63.8	110	92	51.3
13620	520	196	155	55	63.8	110	92	51.3
14620	420	196	155	55	63.8	110	92	51.3
15620	340	173	120	43	40.9	116	73	30.9
16620	300	173	120	43	40.9	116	73	30.9
17620	276	173	120	43	40.9	116	73	30.9
18620	250	173	120	43	40.9	116	73	30.9
19620	250	173	120	43	40.9	116	73	30.9



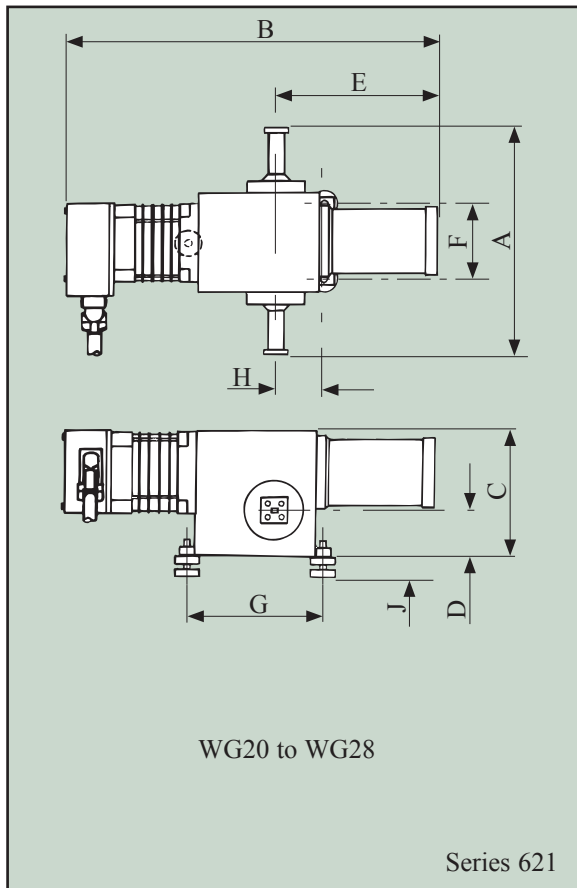
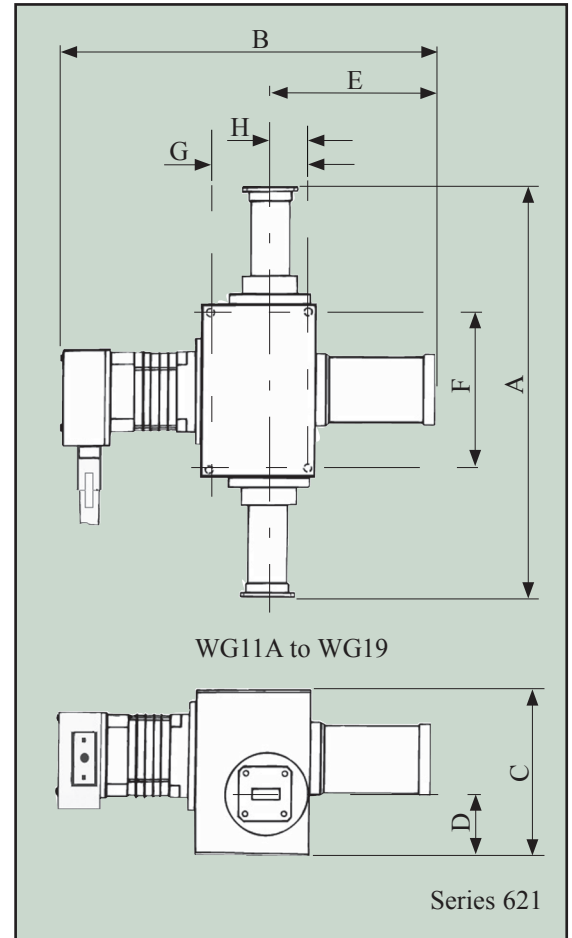
Model	Series 620 WG20 - WG32								
	Dimensions (mm)								
	A	B	C	D	E	F	G	H	J
20620	250	173.5	94	35	43	95	100	37	13/21
21620	225	173.5	94	35	43	95	100	37	13/21
22620	174	173.5	95.5	35	43	56	100	37	13/21
23620	140	173.5	95.5	35	43	50	100	37	13/21
24620	134	173.5	95.5	35	43	50	100	37	13/21
25620	100	181.5	95.5	35	46.7	56	103	41.7	13/21
26620	89	181.5	95.5	35	46.7	56	103	41.7	13/21
27620	89	181.5	95.5	35	46.7	56	103	41.7	13/21
28620	89	181.5	95.5	35	46.7	56	103	41.7	13/21
29620	Dimensions available on request								
30620									
31620									
32620									

Customised systems are available to suit special applications. Please contact our sales team for full details.

Programmable Rotary Vane Attenuators Series 621

Outline Dimensions

	Series 621 WG11A -WG19							
	Dimensions (mm)							
	A	B	C	D	E	F	G	H
11A621	687	311	166	66	148.5	110	110	54.0
12621	560	296	155	55	145.8	110	92	51.3
13621	520	296	155	55	145.8	110	92	51.3
14621	420	296	155	55	145.8	110	92	51.3
15621	340	273	120	43	122.9	116	73	32.9
16621	300	273	120	43	122.9	116	73	32.9
17621	276	273	120	43	122.9	116	73	32.9
18621	250	273	120	43	122.9	116	73	32.9
19621	250	273	120	43	122.9	116	73	32.9



Model	Series 621 WG20 -WG32								
	Dimensions (mm)								
	A	B	C	D	E	F	G	H	J
20621	250	273.5	95.5	35	118.7	95	100	37	13/21
21621	225	273.5	95.5	35	118.7	95	100	37	13/21
22621	174	274.5	95.5	35	118.7	56	100	37	13/21
23621	140	274.5	95.5	35	118.7	50	100	37	13/21
24621	134	274.5	95.5	35	118.7	50	100	37	13/21
25621	100	281.5	95.5	35	125.7	56	103	41.7	13/21
26621	89	281.5	95.5	35	125.7	56	103	41.7	13/21
27621	89	281.5	95.5	35	125.7	56	103	41.7	13/21
28621	89	281.5	95.5	35	125.7	56	103	41.7	13/21
29621	Dimensions available on request								
30621									
31621									
32621									

Customised systems are available to suit special applications. Please contact our sales team for full details.