



Features

- Models from 1.1 GHz to 500 GHz
- Up to 50dB Calibrated Attenuation Range
- Low VSWR
- Excellent attenuation flatness $\pm 10\%$ * across whole waveguide band
- Programmable option available

The Flann Series 020 of Millimetric Calibrated Variable attenuators has been updated to provide an improved attenuation flatness across the whole waveguide band whilst keeping the low VSWR as expected. Additional to our manual operation micrometre, we can also now offer a programmable option.

A calibration is provided at the centre band frequency unless otherwise specified. Calibration at additional frequencies can be provided upon request.



Model 32020

The micrometer drive is free from backlash, permitting attenuation calibration to a high accuracy. The micrometer is fitted with a locking device which enables the adjusting mechanism to be set and locked at any setting. The attenuating elements are constructed from an extremely stable coated glass.

*Not possible on all waveguide sizes, enquire for further details,

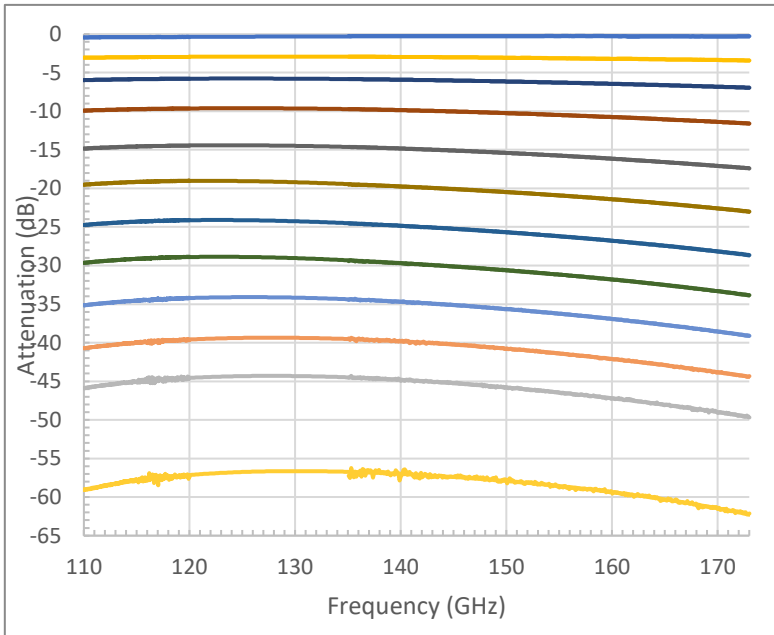


Figure: 29020 measured Attenuation

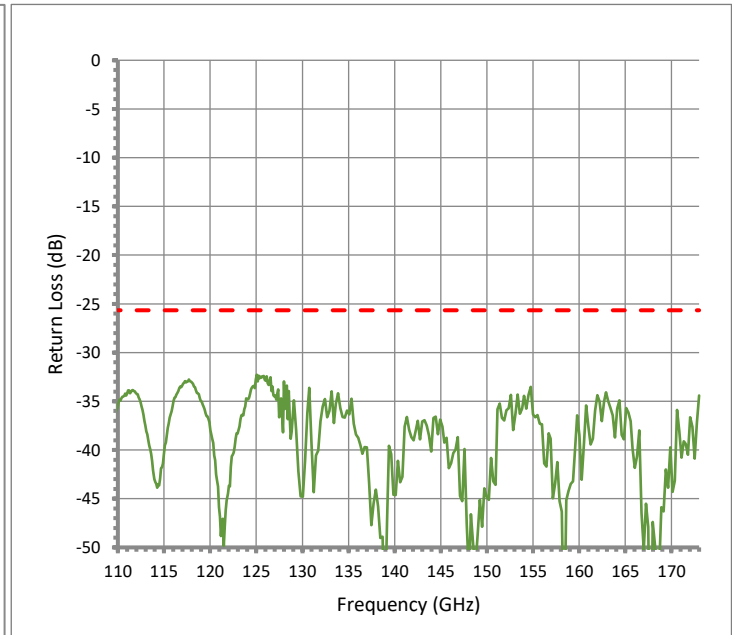


Figure: 29020 measured Return Loss

FLANN MICROWAVE LTD.

Dunmere Road
Bodmin
Cornwall
PL31 2QL

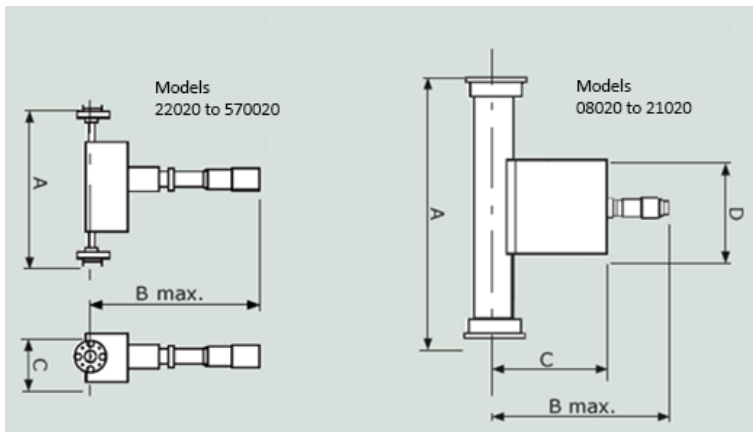
GET IN TOUCH

Tel: +44 (0)1208 77777
sales@flann.com
www.flann.com



Specifications

Model	Waveguide Size			Frequency Range (GHz)	VSWR (MAX)	Calibration Accuracy (±dB)	Calibration Frequency (GHz)	Attenuation Flatness (±%)	Maximum Insertion Loss (dB)
	WG	WR	WM						
23020	23	22	-	33 – 50.1	1.07	0.4	41.55	10	0.2
24020	24	19	-	39.3 – 60	1.07	0.4	49.5	10	0.2
25020	25	15	-	49.9 – 75.8	1.07	0.5	62.85	10	0.2
26020	26	12	-	60 – 92	1.07	0.5	76.25	10	0.2
27020	27	10	-	73.8 – 112	1.07	0.6	92.9	10	0.3
28020	28	8	-	90 – 140	1.08	0.8	116.2	10	0.4
29020	29	6	-	110 – 173	1.11	0.8	143.5	10	0.5
30020	30	5	-	140 – 220	1.14	0.9	182.5	15	0.55
31020	31	4	-	170 – 261	1.17	1.1	216.5	15	0.65
32020	32	3	-	217 – 330	1.20	1.4	273.5	15	0.7
710020	-	-	710	260 – 440	1.27	1.7	330	20	1.2
570020	-	-	570	330 – 500	1.33	2	415	20	1.5



Model	Dimensions (mm)			
	A	B Max	C	Dia D
10020	430	223	138	151
11A020	380	217	132	151
12020	370	145	92	86
13020	340	141	89	86
14020	310	138	86	64
15020	240	132	83	64
16020	180	127	79	64
17020	180	125	78	64
18020	150	100	54	35
19020	125	97	52	35
20020	80	95	51	35
21020	80	94	50	35
22020	80	90	31	-
23020	75	85	31	-
24020	75	85	31	-
25020	60	80	22	-
26020	60	80	22	-
27020	60	80	22	-
28020	60	80	22	-
29020	60	80	22	-
30020	30	80	22	-
31020	25	80	22	-
32020	25	80	22	-
710020	20	80	22	-
570020	20	80	22	-

Related Products

Series 080: Attenuators, Variable
081: Attenuators, Fixed

Custom Design

Custom built and/or integrated instruments can be supplied; please contact the sales team for more information sales@flann.com